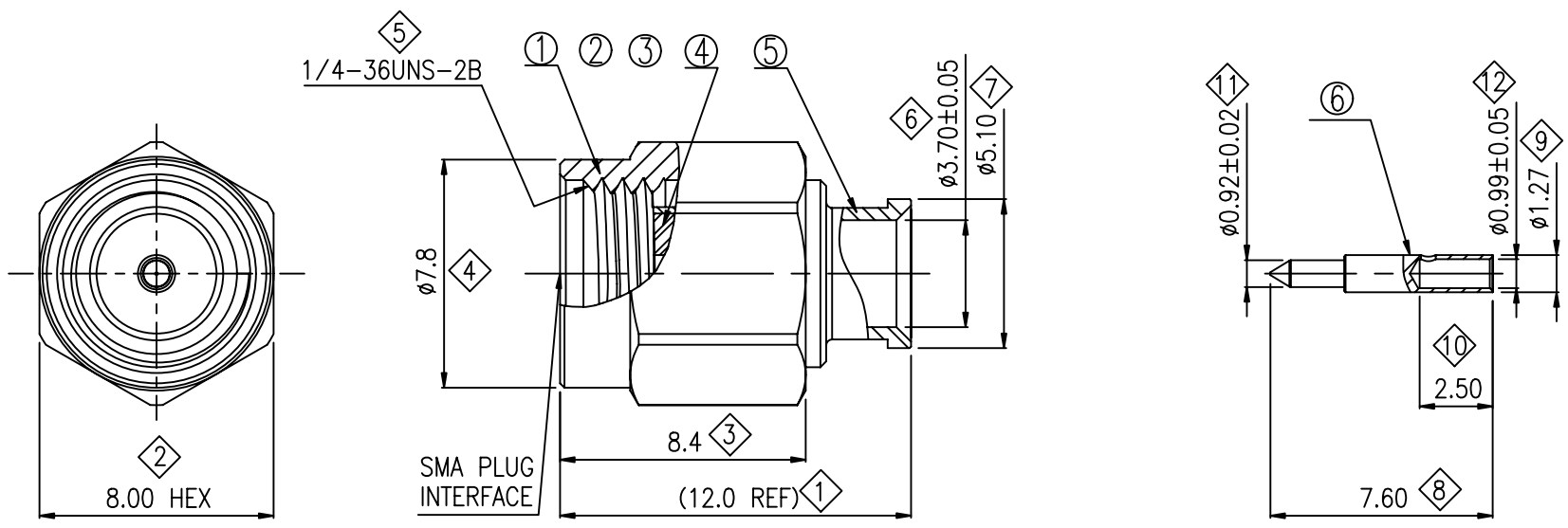
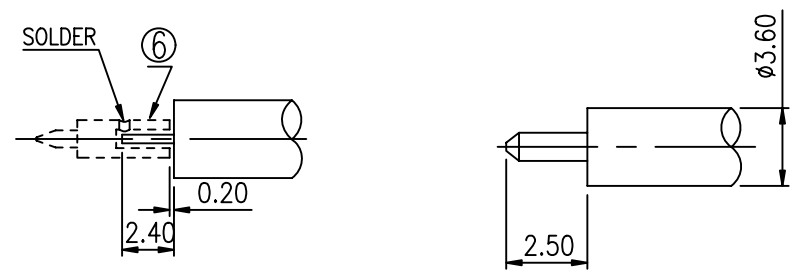


REV	DATE	ECO NO.	DESCRIPTION	DESIGN	CHECK	APPD
A	20071121		NEW RELEASE	鐘泉明		鐘泉明





- NOTES:
- THIS CONNECTOR IS SMA PLUG FOR RG-402/U (Semi-Rigid .141 CABLE).
  - ITEM ⑥ IS SHIPPED UNASSEMBLED.
  - ELECTRICAL DATA
    - IMPEDANCE: 50 OHMS NOMINAL.
    - FREQUENCY RANGE: 0~6 GHz.
    - INSULATION RESISTANCE: 1000 MEGOHMS MIN.
    - DIELECTRIC WITHSTANDING VOLTAGE: 750 VRMS.
    - CONTACT RESISTANCE
      - CENTER CONTACT: 3.0 MILLIOHMS MAX.
      - OUTER CONTACT: 2.0 MILLIOHMS MAX.
  - MECHANICAL DATA
    - MATING: 1/4-36UNS THREAD.
    - MATING TORQUE: 7~10 inch POUNDS (80~113 N.cm).
  - ALL THE PARTS COMPLIANT TO RoHS.



FOR CUSTOMER DRAWING

ITEM	NAME	SPEC.	FINISH	Q'TY
6	PIN CONTACT	BRASS	GOLD OVER NICKEL	1
5	BODY	BRASS	GOLD OVER NICKEL	1
4	INSULATOR	PTFE	NONE	1
3	GASKET	SILICONE RUBBER	NONE	1
2	RING	BERYLLIUM COPPER	NONE	1
1	NUT	STAINLESS STEEL	PASSIVATED	1

TOLERANCES WITHOUT DIMENSIONS		 <b>KENPOL PRECISION INDUSTRIAL CO., LTD</b>		DESIGN	鐘泉明	DWG.NO	S01-SPS14-11BS00			
				DRAWN	劉正茂	TITLE	SMA PLUG			
LINEAR 0.0±0.2 0.00±0.1 0.000±0.05 ANGLES ±1°		CHECK		PART NO	S01-SPS14-11BS00					
		APPD	鐘泉明 2007.11.21	 UNIT mm SCALE 4:1	SIZE	A4	REV	A		